

# OPEN STRAND SOCKETS

## MATERIAL SPECIFICATION

- Sockets meet ASTM A148

- All sockets are magnetic particle inspected at critical areas and proof-tested on special order

## TOLERANCES

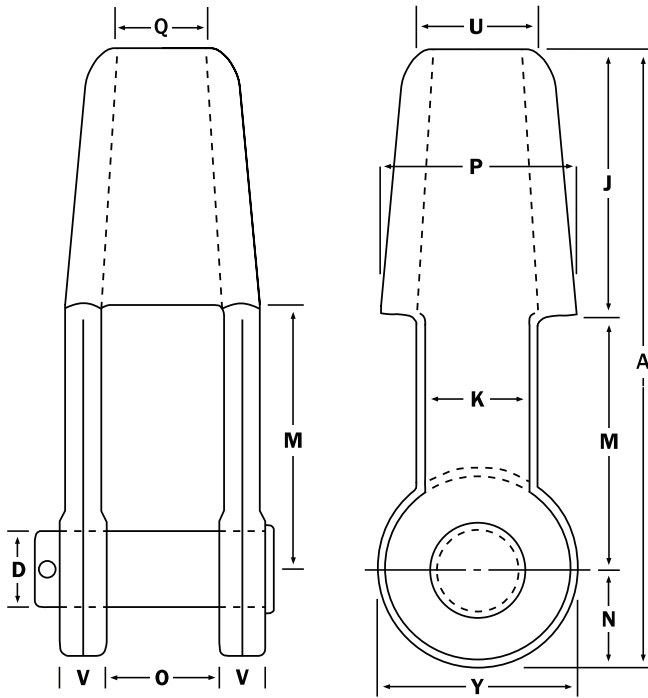
- Dimensions under 4":  $\pm 1/16"$
- Dimensions over 4":  $\pm 1/8"$
- V and O dimensions:  $\pm 1/8"$
- Q (smaller sizes):  $\pm 1/32"$
- D:  $+0 - 1/32"$

## NOTES

Dimensions and tolerances shown are prior to galvanize.

Cast Sockets are available for use in extreme temperatures. These must be special ordered.

M dimensions do not include basket radius restrictions.



Strand Diameter (in.)	Dimensions (in.)											Pin Length (in.)	Pin D (in.)	Cotter Pin Size (in.)	Weight each (lbs.)
	A	J	K	M	N	O	P	Q	U	V	Y				
1/2	6 5/8	2 7/8	1 1/4	2 1/2	1 1/4	1 1/4	2 1/2	3/4	1 1/2	5/8	2	3 1/16	1 3/16	1/4	4.5
9/16 - 5/8	7 3/4	3 9/16	1 1/2	2 3/4	1 7/16	1 1/2	3	13/16	1 7/8	3/4	2 1/2	3 5/8	1 3/8	1/4	6.7
11/16 - 3/4	9	4 1/4	1 3/4	3	1 11/16	1 3/4	3 3/8	15/16	2	13/16	2 3/4	4	1 5/8	1/4	10.2
13/16 - 7/8	10 3/8	4 7/8	2	3 1/2	2	2	3 3/4	1 1/16	2 1/8	7/8	3 1/4	4 3/8	2	1/4	14.3
15/16 - 1	12	5 5/8	2 1/4	4	2 3/8	2 3/8	4	1 1/4	2 3/8	7/8	3 3/4	4 3/4	2 1/4	3/8	19
1 1/16 - 1 1/8	12 1/2	5 1/4	2 1/2	4 1/2	2 3/4	2 1/2	4 1/4	1 1/2	2 1/2	15/16	4 1/4	5 1/4	2 1/2	3/8	25
1 3/16 - 1 1/4	13 5/8	5 1/2	2 3/4	5	3 1/8	3	4 3/4	1 5/8	2 3/4	1	4 3/4	5 7/8	2 3/4	3/8	32
1 5/16 - 1 3/8	14 5/8	5 1/2	3 1/4	5 1/2	3 1/2	3 1/4	4 3/4	1 7/8	3	1 1/8	5 5/8	6	3	1/2	40
1 7/16 - 1 5/8	16 5/8	6 1/8	3 1/2	6 1/2	4	3 3/4	5 7/8	2	4	1 1/4	6 1/4	7	3 1/2	1/2	71
1 11/16 - 1 3/4	17 1/4	6	3 5/8	7	4	4 1/8	6 5/8	2 1/4	4	1 1/2	6 1/4	8 3/8	3 3/4	1/2	92
1 13/16 - 1 7/8	19 1/4	6 3/4	3 3/4	7 3/4	4 1/2	4 1/4	7	2 3/8	4 1/2	1 5/8	7 1/8	8 5/8	4	1/2	111
1 15/16 - 2	21 3/8	7	3 7/8	9 1/2	4 3/4	4 5/8	7 3/8	2 1/2	4 3/4	1 1/2	7 1/2	8 7/8	4 1/4	1/2	138
2 1/16 - 2 1/8	22 1/2	7 3/4	3 7/8	10	4 3/4	4 1/2	7 1/2	2 1/2	4 3/4	2	7 1/2	9 5/8	4 1/2	1/2	161
2 3/16 - 2 1/4	24 1/8	7 7/8	4	11	5 1/4	5	8 1/2	2 5/8	5 1/2	2	8	10 1/4	4 3/4	5/8	196
2 5/16 - 2 3/8	24 3/4	8 1/8	4 1/2	11	5 1/2	5 1/4	8 5/8	3	6	2 1/8	8 1/2	10 3/4	5	5/8	231
2 7/16 - 2 9/16	26 1/4	8 1/2	5	12	5 3/4	5 1/2	9 3/8	3	6 1/2	2 1/4	9	11 1/4	5 1/4	5/8	261
2 5/8 - 2 3/4	27 5/8	9	5 1/4	12 1/4	6 3/8	6	10 1/8	3 1/4	6 1/2	2 1/2	10	12 1/4	5 3/4	5/8	320
2 7/8 - 3	29 3/4	10	5 5/8	13	6 3/4	6 1/2	11	3 3/8	7	2 1/2	10 1/2	12 1/2	6	5/8	392
3 1/8 - 3 1/4	31 1/2	10 1/2	6 1/8	13 1/4	7 3/4	6 3/4	11 3/4	3 3/4	7 1/2	2 3/4	11 1/4	13 1/2	6 1/2	5/8	433
3 3/8 - 3 1/2	32 3/4	10 3/4	6 3/8	13 3/4	8 1/4	7 1/4	12 3/4	4	8	3	11 3/4	14 5/8	6 3/4	5/8	582
3 5/8 - 3 3/4	33 1/2	11	6 3/4	14	8 1/2	7 3/4	13 1/2	4 1/4	8 1/2	3 3/8	12 1/4	15 1/2	7	5/8	677
3 7/8 - 4	34 1/2	11 1/4	7	14 1/4	9	8	14 1/4	4 1/2	8 3/4	3 1/2	12 3/4	16 3/8	7 1/4	3/4	755
4 1/8 - 4 3/8	35	11 3/4	7 1/2	14 3/4	8 1/2	8 1/4	13 3/4	5 1/4	9 1/2	2 3/4	12 3/4	15 1/8	7 1/4	3/4	660
4 1/2 - 4 3/4	37	12 1/2	8	15 1/2	9	8 1/2	14 1/2	5 3/4	10 1/2	3	13 1/2	15 7/8	7 1/2	3/4	778
4 7/8 - 5 1/8	40 1/4	13 3/4	9	16 1/2	10	8 3/4	14 3/4	6 1/4	12	3	14 3/4	16 1/8	8	3/4	947
5 1/4 - 5 1/2	43 1/2	15	10	17 1/4	11 1/4	9	15	6 1/2	13	3	16 1/2	16 3/8	8 1/2	3/4	1130