

CLOSED BRIDGE SOCKETS

MATERIAL SPECIFICATION

- Sockets meet ASTM A148
- All sockets are magnetic particle inspected at critical areas and proof-tested on special order

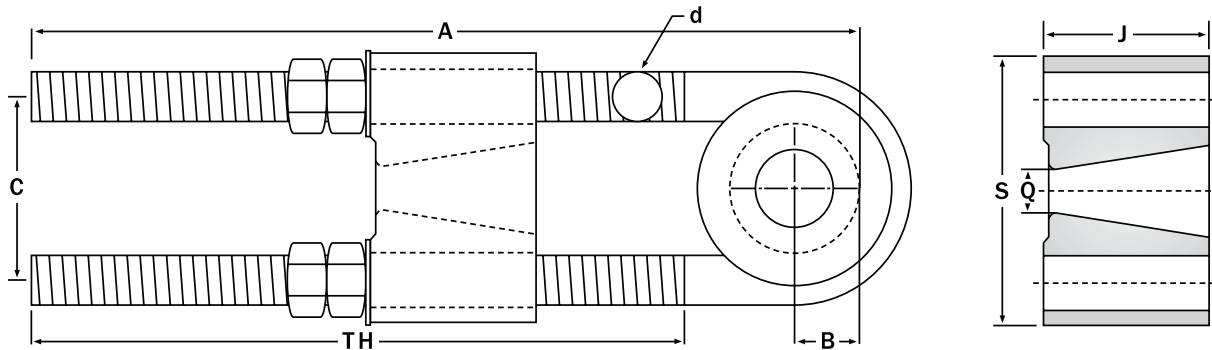
TOLERANCES

- Dimensions under 4": $\pm 1/8"$
- Dimensions over 4": $\pm 1/4"$
- Q (smaller sizes): $\pm 1/32"$
- D: + 0 - $1/32"$ in a self-colored socket

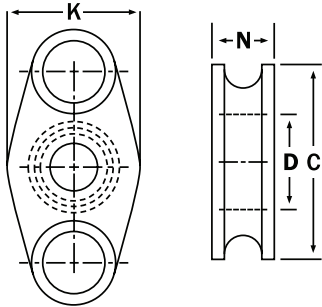
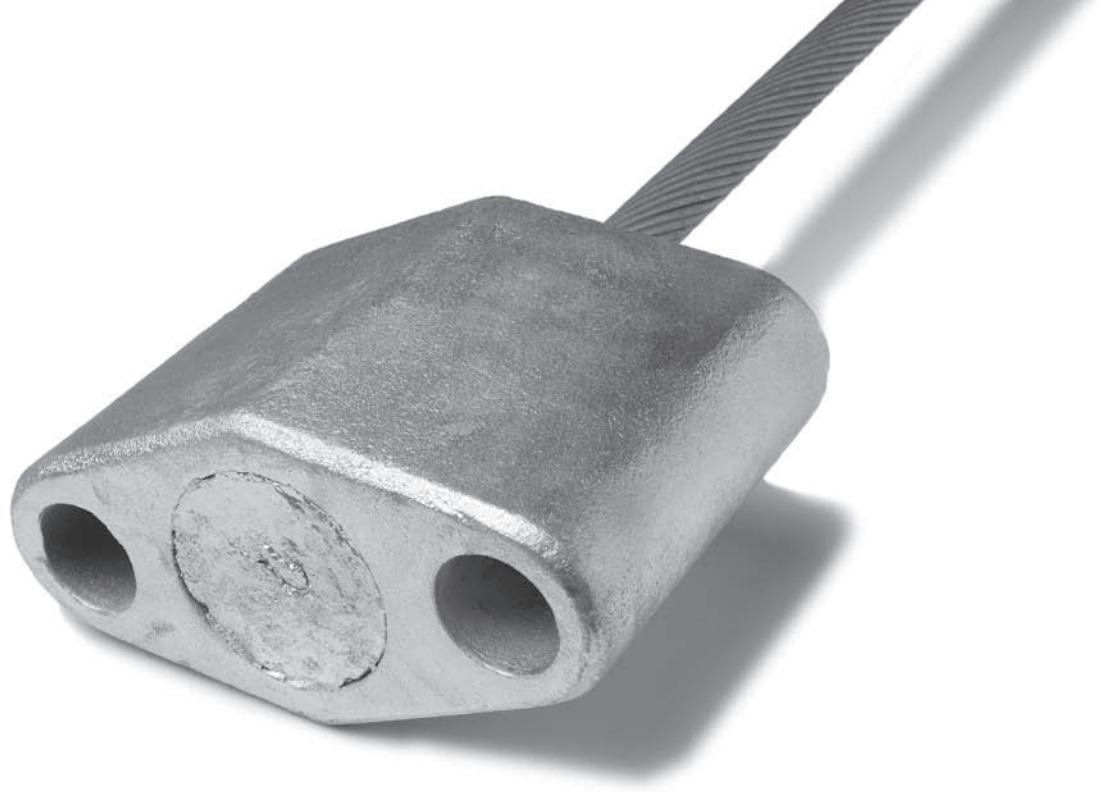
NOTES

Dimensions and tolerances shown are prior to galvanize.

Cast Sockets are available for use in extreme temperatures. These must be special ordered.



Rope Dia.	Strand Dia.	Std. Take-Up	A for Take-Up				B	C	d	D	J	K	
			Std.	48"	72"	84"							96"
1/2	1/2	9	17	56	80	92	104	1 1/4	3 3/8	5/8	1 1/4	3 1/8	2 1/8
5/8	9/16 - 5/8	9	19	58	82	94	106	1 5/8	4 3/8	3/4	1 7/16	3 1/4	2 1/2
3/4 - 7/8	11/16 - 3/4	9	20	59	83	95	107	1 23/32	4 3/4	1	1 11/16	4 3/8	3 1/4
1	13/16 - 7/8	9	22	61	85	97	109	1 29/32	5 3/16	1 1/8	2 1/16	5	3 3/4
1 1/8	15/16 - 1	9	23	62	86	98	110	2 1/16	5 3/4	1 1/4	2 5/16	5 13/16	4 1/8
1 1/4	1 1/16 - 1 1/8	12	27	63	87	99	111	2 1/8	6	1 3/8	2 9/16	6	4 11/16
1 3/8	1 3/16 - 1 1/4	12	28	64	88	100	112	2 11/32	6 3/4	1 5/8	2 13/16	6 1/4	4 3/4
1 1/2	1 5/16 - 1 3/8	12	30	66	90	102	114	2 1/2	7 3/16	1 3/4	3 1/16	6 7/16	5 1/4
1 5/8 - 1 3/4	1 7/16 - 1 1/2	15	34	67	91	103	115	2 27/32	8 1/8	2	3 9/16	6 11/16	6 3/8
1 7/8 - 2	1 9/16 - 1 3/4	15	36	69	93	105	117	3 5/32	9	2 1/4	3 13/16	7 7/8	7 1/4
2 1/8 - 2 1/4	1 13/16 - 2	18	42	72	96	108	120	3 21/32	10 1/4	2 1/2	4 5/16	8 11/16	8 1/8
2 3/8 - 2 1/2	2 1/16 - 2 1/4	18	45	75	99	111	123	4 5/32	11 1/2	2 3/4	4 13/16	10 1/8	8 3/4
2 5/8 - 2 3/4	2 5/16 - 2 3/8	18	48	78	102	114	126	4 5/8	12 3/4	3	5 1/16	11 13/16	9 3/4
2 7/8 - 3	2 7/16 - 2 5/8	21	53	80	104	116	128	4 27/32	13 3/8	3 1/4	5 13/16	12 13/16	10 5/8
3 1/4	2 11/16 - 2 3/4	21	55	82	106	118	130	5 1/16	14 1/8	3 1/2	5 13/16	12 1/2	10 1/4
3 1/2	2 7/8 - 3	21	58	85	109	121	133	5 17/32	15 1/4	3 3/4	6 13/16	15 1/4	11 7/8
3 3/4	3 1/8 - 3 1/4	24	65	89	113	125	137	6 1/8	17 1/4	4	7 1/16	17 1/8	13
(none)	3 3/8 - 3 1/2	24	69	93	117	129	141	6 29/32	18 5/16	4 1/4	7 5/16	19 1/4	13 7/8
4	3 5/8 - 3 3/4	24	72	96	120	132	144	7 5/16	19 3/8	4 1/2	7 9/16	18 1/4	12 3/4
4 1/4 - 4 3/8	3 7/8 - 4	24	75	99	123	135	147	7 23/32	20 7/16	4 3/4	7 13/16	20	13 7/16
4 1/2 - 4 3/4	4 1/8 - 4 3/8	25	78	102	126	138	150	7 21/32	20	5	7 5/16	20	14
5 - 5 1/4	4 1/2 - 4 3/4	27	81	105	129	141	153	7 29/32	21	5 1/4	7 9/16	21 1/4	14 7/8
5 1/2 - 5 3/4	4 7/8 - 5 1/8	30	87	107	131	143	155	8 9/32	22	5 1/2	8 1/16	22 3/4	16
6	5 1/4 - 5 1/2	31	91	109	133	145	157	8 17/32	23	5 3/4	8 9/16	24 1/2	17



TH for Take-Up

Wt. (lbs.) Take-Up

N	TH for Take-Up					Q	S	Wt. (lbs.) Take-Up				
	Std.	48"	72"	84"	96"			Std.	48"	72"	84"	96"
1	10 1/2	49 1/2	73 1/2	85 1/2	97 1/2	5/8	4 3/4	9	16	19	21	23
1 1/8	10 3/4	49 3/4	73 3/4	85 3/4	97 3/4	13/16	5 7/8	16	26	29	31	35
1 7/16	11 1/4	50 1/4	74 1/4	86 1/4	98 1/4	1	6 1/2	28	45	50	54	60
1 9/16	11 1/2	50 1/2	74 1/2	86 1/2	98 1/2	1 1/8	7 3/8	40	62	69	75	83
1 11/16	11 3/4	50 3/4	74 3/4	86 3/4	98 3/4	1 1/4	8 1/8	55	82	90	98	106
1 13/16	15	51	75	87	99	1 1/2	8 5/8	68	98	109	119	129
2 1/16	15 1/2	51 1/2	75 1/2	87 1/2	99 1/2	1 5/8	9 3/4	100	143	157	169	185
2 3/8	15 3/4	51 3/4	75 3/4	87 3/4	99 3/4	1 5/8	10 7/16	124	173	189	207	223
2 9/16	19 1/4	52 1/4	76 1/4	88 1/4	100 1/4	2	11 11/16	108	239	260	280	302
2 13/16	19 3/4	52 3/4	76 3/4	88 3/4	100 3/4	2 1/4	13 1/8	249	323	350	376	404
3 1/16	23 1/4	53 1/4	77 1/4	89 1/4	101 1/4	2 1/2	14 3/4	356	439	463	497	531
3 5/16	23 3/4	53 3/4	77 3/4	89 3/4	101 3/4	2 3/4	16 1/2	485	586	627	647	707
3 11/16	24 1/4	54 1/4	78 1/4	90 1/4	102 1/4	3	18	610	730	778	826	874
3 15/16	27 3/4	54 3/4	78 3/4	90 3/4	102 3/4	3 1/4	19 1/4	776	903	960	1018	1072
4 3/16	28 1/4	55 1/4	79 1/4	91 1/4	103 1/4	3 1/2	20 1/4	882	1030	1095	1161	1225
4 1/2	28 3/4	55 3/4	79 3/4	91 3/4	103 3/4	3 3/4	22	1180	1349	1425	1499	1575
4 3/4	32 1/4	56 1/4	80 1/4	92 1/4	104 1/4	4	24	1508	1679	1765	1851	1935
5	32 3/4	56 3/4	80 3/4	92 3/4	104 3/4	4 1/8	26	1621	1821	1917	2013	2109
5 1/4	33 1/4	57 1/4	81 1/4	93 1/4	105 1/4	4 1/2	27 5/8	2031	2251	2360	2468	2129
5 1/2	33 3/4	57 3/4	81 3/4	93 3/4	105 3/4	4 3/4	29 7/16	2444	2684	2805	2925	3047
5	36	57	82 1/2	94 1/2	106 1/2	5 1/4	28	2310	2480	3100	3234	3368
5 1/2	37	58	83 1/2	95 1/2	107 1/2	5 3/4	30 1/4	2910	3130	3680	3828	3976
5 3/4	40 1/2	58 1/2	84 1/2	96 1/2	108 1/2	6 1/4	31 1/2	3425	3625	4120	4762	4442
6 1/4	41 1/2	59 1/2	86 1/2	98 1/2	110 1/2	6 1/2	33	4165	4400	4600	4778	4956